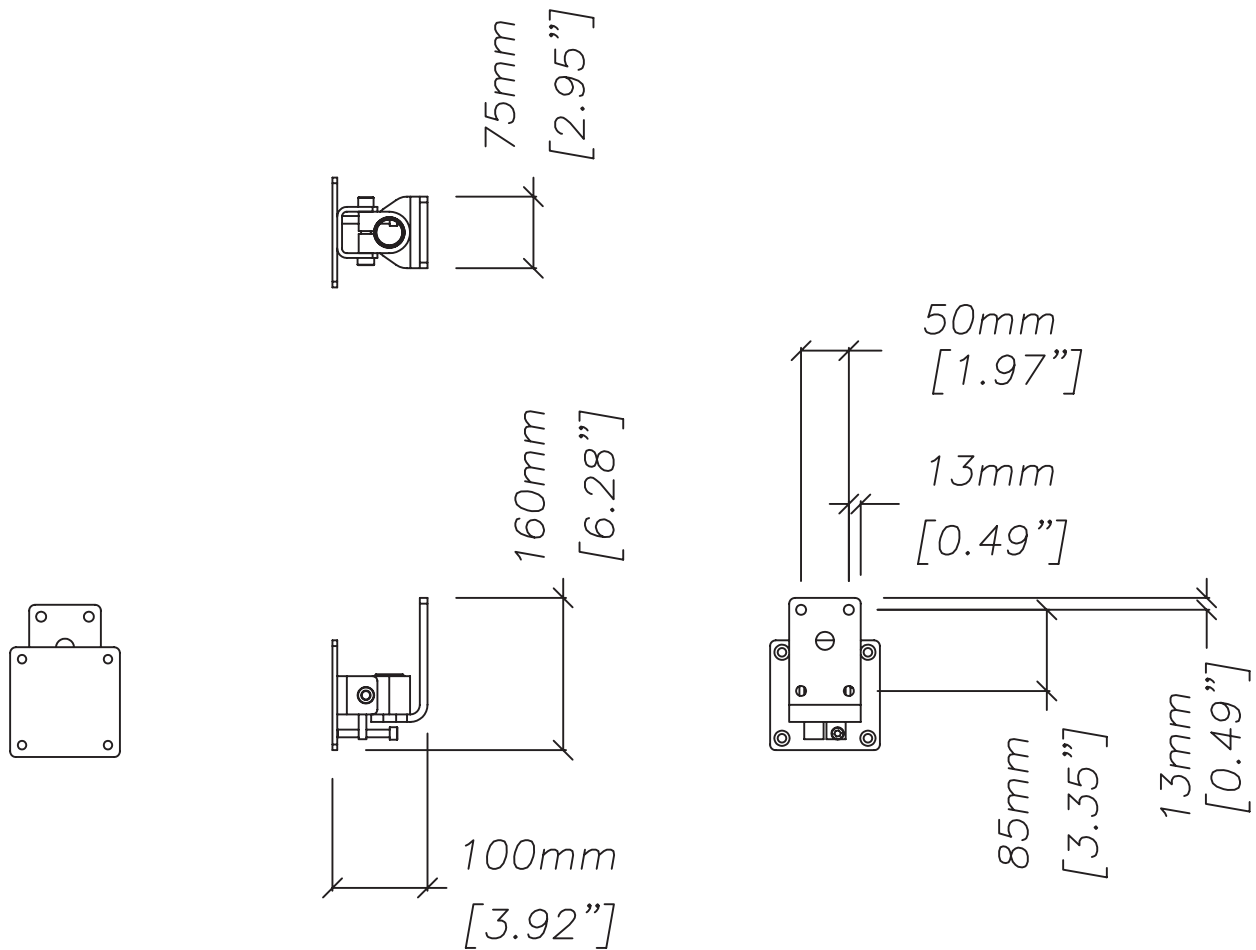


# AQWB8

Wall Bracket – AQ8 – AQ10 – AQ12

hardware



AQWB8

Century Point, Halifax Road, Cressex Business Park,  
High Wycombe, Buckinghamshire HP12 3SL, England.  
Telephone: +44 (0)1494 535312 Facsimile: +44 (0)1494 438669  
E-mail: [info@martin-audio.com](mailto:info@martin-audio.com)  
All information is Copyright © 2005 Martin Audio Ltd.



[www.martin-audio.com](http://www.martin-audio.com)