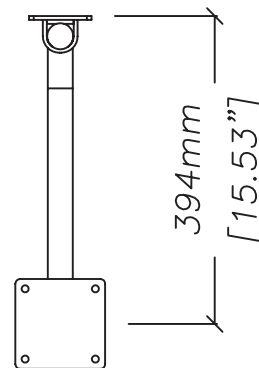
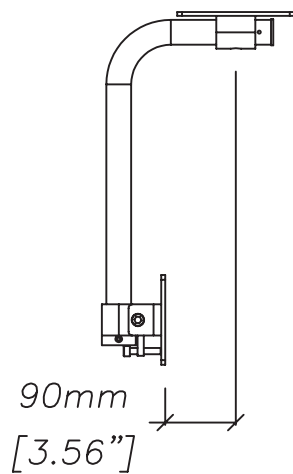
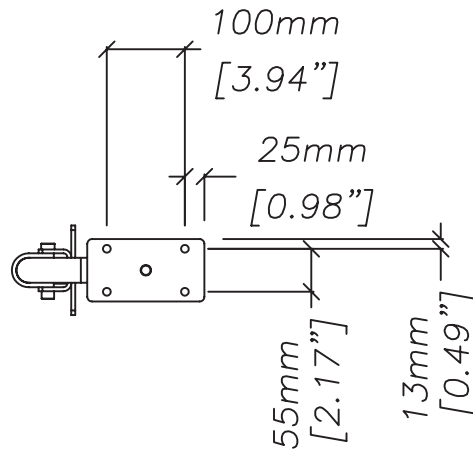


AQCL

Long Ceiling Bracket Assembly – AQ8 – AQ10 – AQ12

hardware



AQCL

Century Point, Halifax Road, Cressex Business Park,
High Wycombe, Buckinghamshire HP12 3SL, England.
Telephone: +44 (0)1494 535312 Facsimile: +44 (0)1494 438669
E-mail: info@martin-audio.com
All information is Copyright © 2005 Martin Audio Ltd.



www.martin-audio.com