

WLXGS

Hybrid® horn and reflex loaded subwoofer

features

- ▶ Hybrid® folded horn/reflex loaded subwoofer system
- ▶ Single 18" (460mm) ultra-long excursion high power bass driver
- ▶ Sensitivity 106dB 1W@1M; Maximum SPL 142dB
- ▶ Frequency response 35Hz-150Hz ±3dB, -10dB @ 28Hz
- ▶ 8 ohm nominal impedance
- ▶ Interlocking skids for secure stacking

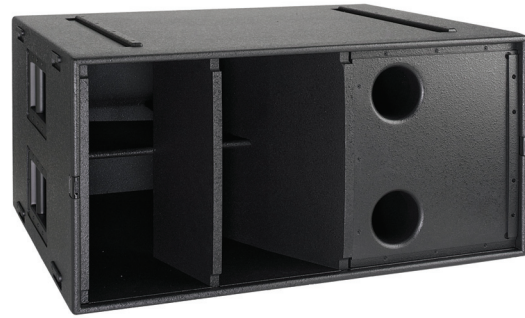
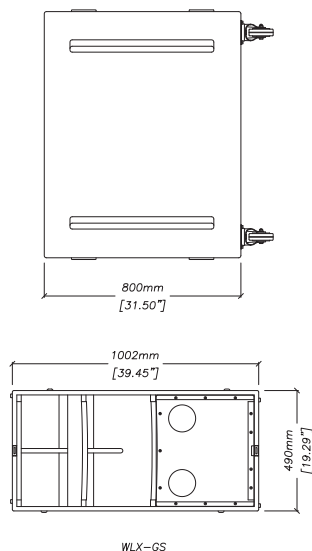
applications

- ▶ Dedicated sub-bass for use with W8LC or W8LM
- ▶ Ground stacked sub-bass to augment low frequency output of all Martin Audio Wavefront products
- ▶ Fixed Installations

The Martin Audio WLXGS is a high performance subwoofer featuring our trademark horn loading expertise. A derivative of the WSX, the WLXGS is smaller and lighter, designed to be ground stacked and possesses high output capability with low frequency extension.

A single ultra-long excursion 18" (460mm)/4" (100mm) coil driver is front loaded by a hyperbolic horn with low flare rate. The rear of the driver is reflex loaded to extend the LF output to below the natural cut-off point of the horn. This Hybrid® technique marries the very high efficiency of horn loading with the extended low frequency response of a reflex enclosure.

overall dimensions



technical specifications

TYPE	Hybrid® horn and reflex loaded subwoofer
FREQUENCY RESPONSE (1)	35Hz-150Hz ± 3dB, -10dB @ 28Hz
DRIVERS	18" (460mm)/4" (100mm) voice coil, ultra-long excursion, water resistant cone
RATED POWER (2)	1000W AES, 4000W peak
RECOMMENDED AMPLIFIER	MA12K
SENSITIVITY (3)	106dB (half space)
MAXIMUM SPL	136dB continuous, 142dB peak (half space) (calculated @ 1m)
NOMINAL IMPEDANCE	8 ohms
CROSSOVER	70Hz-150Hz active via DX1.5 or DX2 controller
ENCLOSURE	Rectangular, multi-laminate birch ply
FINISH	Textured black paint
PROTECTIVE GRILLE	Black perforated steel
CONNECTORS	2 x Neutrik NL8
FITTINGS	Interlocking skids on sides and top & bottom 2 generously sized bar handles 4 x 4" (100mm) castors
DIMENSIONS (inc. wheels)	(W) 1002mm x (H) 490mm x (D) 800mm (931mm) (W) 39.45ins x (H) 19.3ins x (D) 31.5ins (36.7ins)
WEIGHT	73.5kg (161.7lbs)

Century Point, Halifax Road, Cressex Business Park,
High Wycombe, Buckinghamshire HP12 3SL, England.
Telephone: +44 (0)1494 535312 Facsimile: +44 (0)1494 438669
E-mail: info@martin-audio.com

All information is Copyright © 2011 Martin Audio Ltd.

Due to Martin Audio's policy of continuing improvement, we reserve the right to alter these specifications without prior notice.



www.martin-audio.com

touring and theatre