

AQ210

Ultra-compact, dual driver, vented sub-bass system

architectural

features

- ▶ Ultra-compact, low profile styling
- ▶ Dual 10" (250mm) direct radiating LF drivers with 3" (75mm) voice coils
- ▶ Generously sized, low noise ports
- ▶ Alternative textured paint colours to order

applications

- ▶ Clubs, bars and restaurants
- ▶ Theatres
- ▶ Live sound in places of worship
- ▶ AV presentations



The Martin Audio AQ210 is a dual driver, direct radiating sub-bass in an ultra-compact heavily braced, vented enclosure. It features two very efficient 10" (250mm) long-throw bass drivers with high power 3" (75mm) voice coils and generously sized low frequency ports for low noise, high power operation.

The AQ210's ultra-compact size makes it an ideal partner for Martin Audio AQ Series full-range loudspeakers where extra bass punch is required but installation space is limited.

A Martin Audio AQX Electronic Controller is available to provide subwoofer crossover, limiter and trim functions.

Century Point, Halifax Road, Cressex Business Park,
High Wycombe, Buckinghamshire HP12 3SL, England.
Telephone: +44 (0)1494 535312 Facsimile: +44 (0)1494 438669
E-mail: info@martin-audio.com
All information is Copyright © 2005 Martin Audio Ltd.

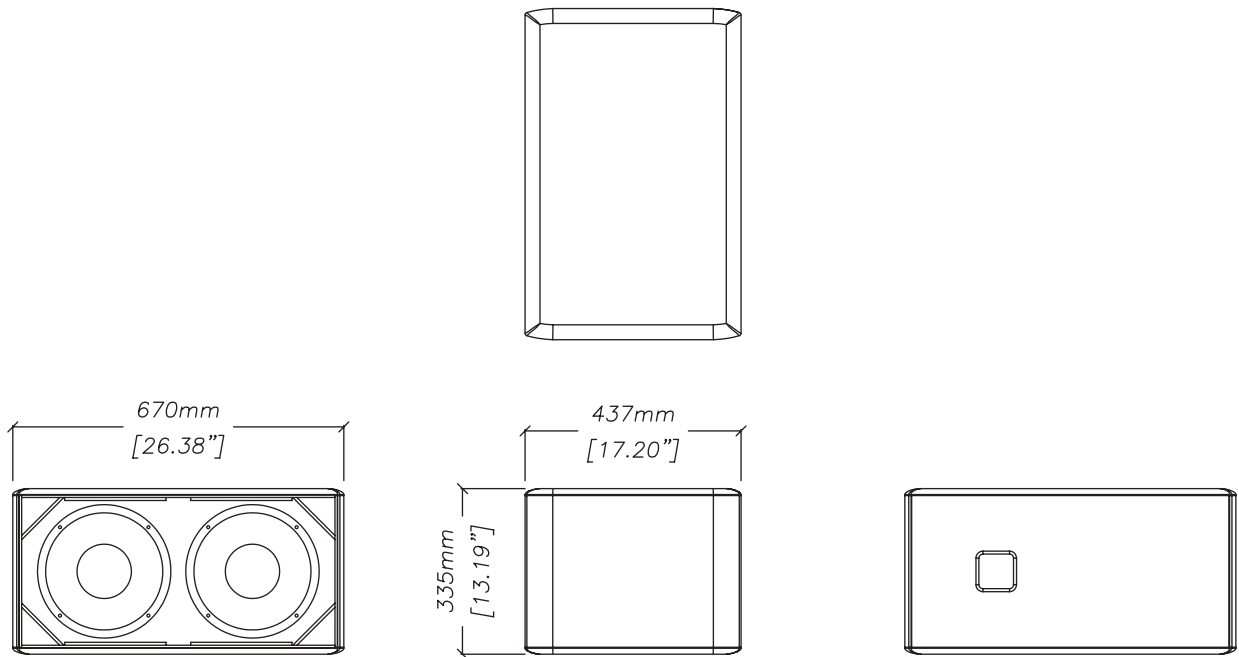


AQ210

Ultra-compact, dual driver, vented sub-bass system

overall dimensions

architectural



AQ210

Century Point, Halifax Road, Cressex Business Park,
High Wycombe, Buckinghamshire HP12 3SL, England.
Telephone: +44 (0)1494 535312 Facsimile: +44 (0)1494 438669
E-mail: info@martin-audio.com
All information is Copyright © 2005 Martin Audio Ltd.



AQ210

Ultra-compact, dual driver, vented sub-bass system

technical specifications

TYPE	Ultra-compact, dual driver, low profile, vented sub-bass
FREQUENCY RESPONSE (1)	50Hz-150Hz \pm 3dB
DRIVERS	2 x 10" (250mm)/3" (75mm) voice coil LF drivers
RATED POWER (2)	600W AES, 2400W peak
RECOMMENDED AMPLIFIER	400-800W into 4 ohms
SENSITIVITY (6), (3)	98dB (open space), 104dB (half space)
MAXIMUM SPL (calculated @ 1m)	122dB continuous, 128dB peak (open space) 128dB continuous, 134dB peak (half space)
NOMINAL IMPEDANCE	4 ohms
CROSSOVER	120Hz active (via AQX controller)
ENCLOSURE	60 litre, braced 18mm MDF
FINISH	Textured light grey paint
PROTECTIVE GRILLE	Light grey perforated steel
CONNECTORS	Low profile 20 amp push-lock
FITTINGS	
OPTIONS	Passive low pass filter
DIMENSIONS	(W) 670mm x (H) 335mm x (D) 437mm (W) 26.4ins x (H) 13.2ins x (D) 17.2ins
WEIGHT	30kg (66lbs)

architectural and engineering specifications

The loudspeaker system shall be of the ultra-compact, dual driver sub-bass type consisting of two 10" (250mm) 3" (75mm) voice coil direct radiating reflex loaded low frequency transducers in an internally braced low profile MDF enclosure. The loudspeaker shall be operated with a separate electronic controller for dedicated sub-bass use.

Performance of the loudspeaker system with its electronic controller shall meet or exceed the following criteria:

Frequency response measured 1 metre on axis shall be 50Hz-150Hz \pm 3dB.

Power handling shall be 600W AES, 2400W peak.

Rated impedance shall be 4 ohms.

Maximum SPL measured at 1 metre on axis shall be 128dB continuous, 134dB peak.

Dimensions (W) 670mm x (H) 335mm x (D) 437mm (26.4ins x 13.2ins x 17.2ins).

Weight 30kg (66lbs).

The loudspeaker system shall be the Martin Audio AQ210.

Notes

- (1) Measured on-axis in half space at 2 metres, then referred to 1 metre.
- (2) AES Standard ANSI S4.26-1984.
- (3) Measured in half space at 2 metres with 1 watt input, using band limited pink noise, then referred to 1 metre.
- (4) Measured in half space at 2 metres using band limited pink noise, then referred to 1 metre.
- (5) Measured on-axis in open (4π) space at 2 metres, then referred to 1 metre.
- (6) Measured in open (4π) space at 2 metres with 1 watt input, using band limited pink noise, then referred to 1 metre.
- (7) Measured in open (4π) space at 2 metres using band limited pink noise, then referred to 1 metre.

Trade Descriptions Act

Due to Martin Audio's policy of continuing improvement, we reserve the right to alter these specifications without prior notice. Martin Audio is committed to refining state of the art sound reinforcement, combining in-depth product and field applications research with advanced manufacturing techniques. Every Martin Audio product is built to the highest manufacturing standards and rigorously tested to ensure that it meets the performance criteria specified in the design.

Century Point, Halifax Road, Cressex Business Park,
High Wycombe, Buckinghamshire HP12 3SL, England.
Telephone: +44 (0)1494 535312 Facsimile: +44 (0)1494 438669
E-mail: info@martin-audio.com
All information is Copyright © 2005 Martin Audio Ltd.

